

## GMP80P Portable Carbon Dioxide Probe with Pump Sampling



### Features

- Measurement range 0–20 %CO<sub>2</sub>
- Operating temperature range +15 ... +40 °C (+59 ... +104 °F)
- Easy CO<sub>2</sub> sampling through standard incubator sampling ports
- Stainless steel pipe and plastic tube options for sampling
- Compatible with Vaisala Indigo80 Handheld Indicator and Insight PC software
- Excellent long-term stability
- Reliable and accurate
- Calibration certificate included

Vaisala CARBOCAP® Portable Carbon Dioxide Probe with Pump Sampling GMP80P combines intelligent CO<sub>2</sub> measurement with pump-aspirated sampling functionality. This robust and portable measurement device is designed for use in demanding applications, such as life science incubators, where stable, reliable, and accurate performance is required.

### GMP80P is ideal for:

- CO<sub>2</sub> sampling from incubators
- Spot-checking fixed CO<sub>2</sub> transmitters
- Sampling from areas otherwise difficult to access

### Ease of use with Indigo80

CO<sub>2</sub> measurement data can be monitored with the compact Vaisala Indigo80 Handheld Indicator connected to GMP80P. Indigo80 can be used for short-time logging of measurement data, as well as for calibrating and adjusting GMP80P.

Indigo80 has two cable ports for connecting Vaisala probes or transmitters to the indicator for measuring a wide range of parameters. GMP80P is powered by Indigo80, which can supply power for up to two GMP80P probes.

For more information on Indigo80, see [vaisala.com/indigo80](https://vaisala.com/indigo80).

### Flexible connectivity

For easy access to field calibration, device analytics, configuration functionality, and powering, GMP80P can also be connected to a PC running Vaisala Insight PC software for Windows®. For more information on Insight, see [vaisala.com/insight](https://vaisala.com/insight).

### Applications

GMP80P is ideal for life science incubators and for all demanding applications where stable and accurate percentage-level measurements are needed.



# Technical data

## Measurement performance

Measurement range	0–20 %CO <sub>2</sub>
<b>Accuracy</b> <sup>1) 2)</sup>	
At 5 %CO <sub>2</sub>	±0.1 %CO <sub>2</sub>
At 0–8 %CO <sub>2</sub>	±0.2 %CO <sub>2</sub>
At 8–20 %CO <sub>2</sub>	±0.4 %CO <sub>2</sub>
<b>Calibration uncertainty</b>	
At 5 %CO <sub>2</sub>	±0.07 %CO <sub>2</sub>
At 20 %CO <sub>2</sub>	±0.27 %CO <sub>2</sub>
<b>Long-term stability</b>	
At 0–8 %CO <sub>2</sub>	±0.3 %CO <sub>2</sub> /year
At 8–12 %CO <sub>2</sub>	±0.5 %CO <sub>2</sub> /year
At 12–20 %CO <sub>2</sub>	±1.0 %CO <sub>2</sub> /year
<b>Start-up, warm-up, and response time</b>	
Start-up time at +25 °C (+77 °F)	< 10 s
Warm-up time to full specification	< 4 min
Response time (T90)	< 1 min
<b>Other</b>	
Sampling frequency	1 s

1) At 25 °C (77 °F) and 1013 hPa (incl. repeatability and non-linearity).

2) As the gas sample dries during the sampling process, the CO<sub>2</sub> concentration of the dry sample will be higher than in the wet sample taken in the measurement environment. This is due to water condensing off the warm gas sample as it cools down. To determine the most accurate measurement values in your sampling environment, see GMP251 and GMP80P User Guide (M211799EN) at docs.vaisala.com for a table listing the dilution coefficients for gas samples taken at different temperatures.

## Operating environment

Operating environment	Indoor use
Operating temperature	+15 ... +40 °C (+59 ... +104 °F)
Storage temperature	-20 ... +60 °C (-4 ... +140 °F)
Operating humidity	0–95 %RH
Storage humidity	20–85 %RH
IP rating	IP4X
Flow rate of sampled/aspirated gas	0.3 l/min

## Powering

Operating voltage	12–30 V DC
Power consumption	Typical: 0.7 W Maximum: 0.9 W
Current consumption	60 mA typical at minimum voltage

## Digital communication

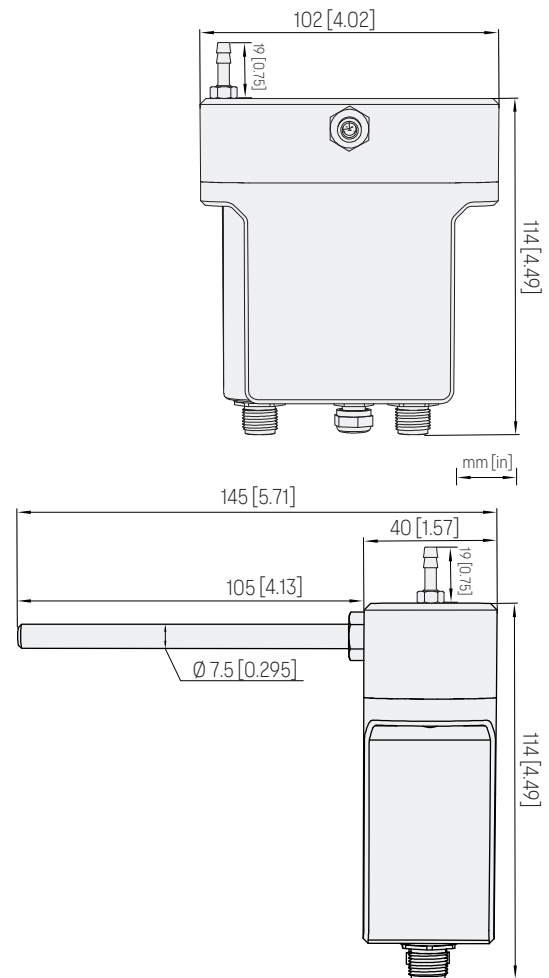
Digital output	RS-485
----------------	--------

## Compliance

EU directives and regulations	EMC Directive (2014/30/EU) RoHS Directive (2011/65/EU) as amended by 2015/863 REACH Regulation (EC 1907/2006)
Electromagnetic compatibility (EMC)	EN 61326-1, basic electromagnetic environment FCC part 15 B, Class B ICES-3 / NMB-3 (Class B)
Compliance marks	CE

## Mechanical specifications

Cable connector type	M12 5-pin A-coded male
Barbed fitting for gas outlet (optional)	For tube with ID 4 mm (approx. 5/32 in)
<b>Dimensions (H × W × D)</b>	
Probe body (incl. cable connectors), without sampling pipe:	114 × 102 × 40 mm (4.49 × 4.02 × 1.57 in)
Depth with sampling pipe:	145 mm (5.71 in)
<b>Weight</b>	410 g (14.46 oz)
<b>Materials</b>	
GMP80P (excluding GMP251 probe):	
Housing	Aluminum and polyamide
Sampling pipe	Stainless steel
Barbed fitting for gas outlet	Nickel-plated brass
Connectors (on the bottom)	Nickel-plated brass
GMP251 probe:	
Housing	PBT polymer
Filter	PTFE membrane, PBT polymer grid
Connector	Nickel-plated brass



GMP80P dimensions, front and side

## Spare parts and accessories

GMP251 CO <sub>2</sub> probe	Configuration code A1COC0N1 <sup>1)</sup>
Cable for probes (M12-M12), 1.5 m (4 ft 11 in)	272075SP
Sampling pipe (stainless steel), 100 mm (3.94 in)	DRW259158SP
Sampling tube (Nafion™ membrane and PUR), 2.1 m (6 ft 11 in) <sup>2)</sup>	GMTUBESP
Sampling tube (Nafion™ membrane), 0.6 m (1 ft 12 in)	212807SP
Sampling tube (PUR), 1.5 m (4 ft 11 in)	279471SP
Adapter for sampling tube	279473SP
Barbed fitting for gas outlet	279524SP
Magnetic hanger	ASM214318SP
Indigo USB adapter	USB2

1) See the GMP251 Order Form at [docs.vaisala.com](https://docs.vaisala.com) for more information.

2) Consists of a 0.6-m (1 ft 12 in) Nafion™ tube and a 1.5-m (4 ft 11 in) polyurethane tube.

**VAISALA**

Published by Vaisala | B212721EN-B © Vaisala 2024

All rights reserved. Any logos and/or product names are trademarks of Vaisala or its individual partners. Any reproduction, transfer, distribution or storage of information contained in this document is strictly prohibited. All specifications – technical included – are subject to change without notice.



INDUSTRIE AUTOMATION GRAZ Inq. W. Häusler GmbH AUTALER STRASSE 55 A-8074 RAABA-GRAMBACH  
TEL: + 43 316 405 105 FAX: +43 316 405 105 22 E-MAIL: [OFFICE@IAG.CO.AT](mailto:OFFICE@IAG.CO.AT) [WWW.IAG.CO.AT](http://WWW.IAG.CO.AT)