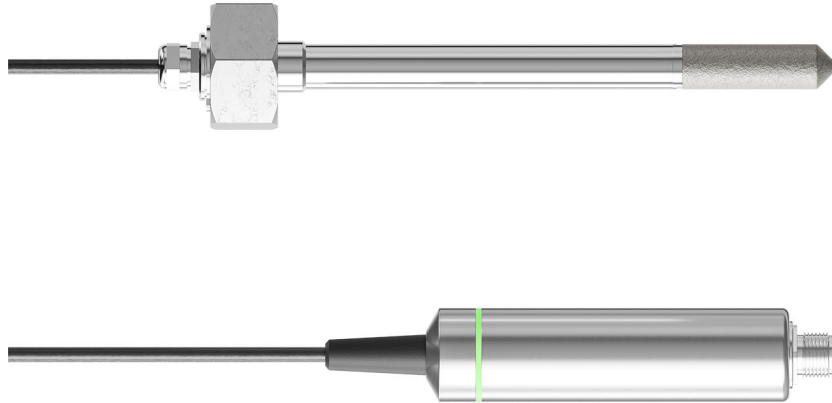




# HMP4 Relative Humidity and Temperature Probe

For pressurized and vacuum processes



## Features

- RH accuracy up to  $\pm 0.8\%$  RH
- Temperature accuracy up to  $\pm 0.1\text{ }^{\circ}\text{C}$  ( $\pm 0.18\text{ }^{\circ}\text{F}$ )
- Temperature measurement range  $-70 \dots +180\text{ }^{\circ}\text{C}$  ( $-94 \dots +356\text{ }^{\circ}\text{F}$ )
- Operating pressure 0–100 bar
- Sensor purge improves long-term stability and chemical resistance
- Modbus<sup>®</sup> RTU over RS-485
- Compatible with Vaisala Indigo products and Insight PC software
- Traceable calibration certificate: 6 points for humidity, 1 point for temperature

Vaisala HUMICAP<sup>®</sup> Humidity and Temperature Probe HMP4 is designed for high-pressure applications such as compressed air systems in maritime, breathing air, and industrial applications, where measurement performance and chemical tolerance are essential.

### Proven Vaisala HUMICAP<sup>®</sup> performance

Vaisala is the original innovator of the thin-film capacitive humidity measurement technology, which has now become the industry standard in humidity measurement.

HUMICAP<sup>®</sup> technology results from Vaisala's 40-year experience in industrial humidity measurement, providing the best stability, fast response time, and low hysteresis in a wide range of applications.

### Sensor purge minimizes effects of contaminants

In environments with high concentrations of chemicals and cleaning agents, the sensor purge option helps to maintain measurement accuracy between calibration intervals.

The sensor purge involves heating the sensor to remove harmful chemicals. The function can be initiated manually or programmed to occur at set intervals.

### Flexible connectivity

The probe can be used as a standalone digital Modbus RTU transmitter over an RS-485 serial bus, and it can also be connected to Indigo transmitters and the Indigo80 handheld indicator. For easy-to-use access to field calibration, device analytics, and configuration functionality, the probe can be connected to Vaisala Insight software for Windows<sup>®</sup>. For more information, see [www.vaisala.com/insight](http://www.vaisala.com/insight).

### Vaisala Indigo product family

Indigo transmitters extend the capabilities of Indigo-compatible measurement probes. The transmitters can display measurements on the spot as well as transmit them to automation systems through analog signals, digital outputs, and relays. Cable length between probe and transmitter can be extended to up to 30 meters.

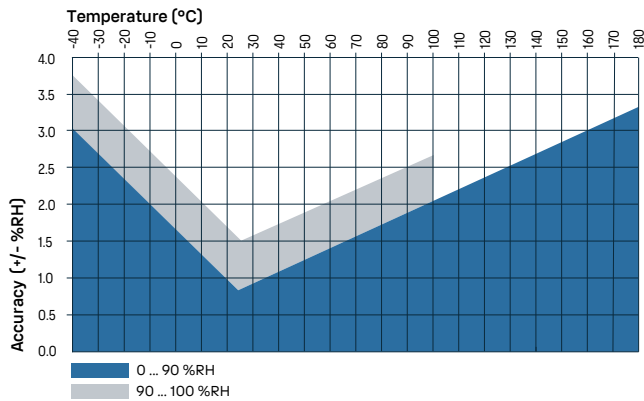
The Indigo80 handheld indicator is ideal for spot-checking and process monitoring, as well as for configuring, troubleshooting, calibrating, and adjusting the probe. For more information, see [www.vaisala.com/indigo](http://www.vaisala.com/indigo).

# Technical data

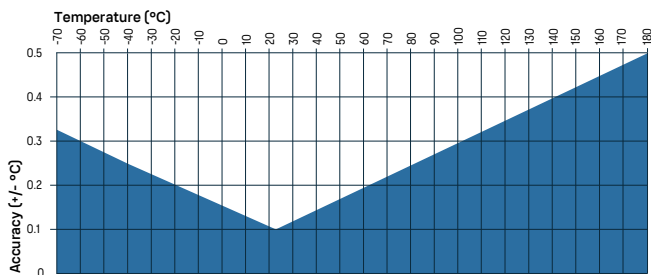
## Measurement performance

Relative humidity	
Measurement range	0–100 %RH, at max. +95 °C (203 °F) T <sub>d</sub>
Accuracy at +23 °C (+73.4 °F) <sup>1)</sup>	±0.8 %RH (0–90 %RH)
Factory calibration uncertainty <sup>2)</sup>	±0.5 %RH (0–40 %RH) ±0.8 %RH (40–95 %RH)
T <sub>63</sub> response time	15 s
Sensor options	HUMICAP® R2 HUMICAP® R2C <sup>3)</sup>
Temperature	
Measurement range	–70 ... +180 °C (–94 ... +356 °F)
Accuracy <sup>1)</sup>	±0.1 °C (±0.18 °F)
Factory calibration uncertainty <sup>2)</sup>	±0.1 °C (±0.18 °F) at +23 °C (+73.4 °F)
Sensor	Pt100 RTD Class FO.1 IEC 60751

- 1) Defined against calibration reference. Including non-linearity, hysteresis, and repeatability.  
 2) Defined as ±2 standard deviation limits. Small variations possible; see calibration certificate.  
 3) Sensor purge feature available with this sensor.



HMP4 humidity measurement accuracy as a function of temperature



HMP4 temperature measurement accuracy over full range

## Operating environment

Operating temperature of probe body	–40 ... +80 °C (–40 ... +176 °F)
Operating temperature of probe head	–70 ... +180 °C (–94 ... +356 °F)
Operating humidity of probe head	Max. +100 °C (212 °F) T <sub>d</sub>
Storage temperature	–40 ... +80 °C (–40 ... +176 °F)
Operational pressure	< 100 bar
Operating environment	Suitable for outdoor use
Measurement environment	For air, nitrogen, hydrogen, argon, helium, oxygen, and vacuum <sup>1)</sup>
IP rating of probe body	IP66

1) Consult Vaisala if other chemicals are present. Consider safety regulations with flammable gases.

## Inputs and outputs

Operating voltage	15–30 V DC
Current consumption	10 mA typical, 500 mA max.
Digital output	RS-485, non-isolated
Protocols	Modbus RTU

## Output parameters

Absolute humidity (g/m <sup>3</sup> )	Relative humidity (%RH)
Absolute humidity at NTP (g/m <sup>3</sup> )	Relative humidity (dew/frost) (%RH)
Dew point temperature (°C)	Temperature (°C)
Dew/frost point temperature (°C)	Water concentration (ppm <sub>v</sub> )
Dew/frost point temperature at 1 atm (°C)	Water concentration (wet basis) (vol-%)
Dew point temperature at 1 atm (°C)	Water mass fraction (ppm <sub>w</sub> )
Dew point temperature difference (°C)	Water vapor pressure (hPa)
Enthalpy (kJ/kg)	Water vapor saturation pressure (hPa)
Mixing ratio (g/kg)	Wet-bulb temperature (°C)

## Compliance

EU directives and regulations	EMC Directive (2014/30/EU) RoHS Directive (2011/65/EU) as amended by 2015/863
Electromagnetic compatibility (EMC)	EN 61326-1, industrial environment
Type approvals	DNV GL certificate no. TAA00002YT
Compliance marks	CE, China RoHS, RCM



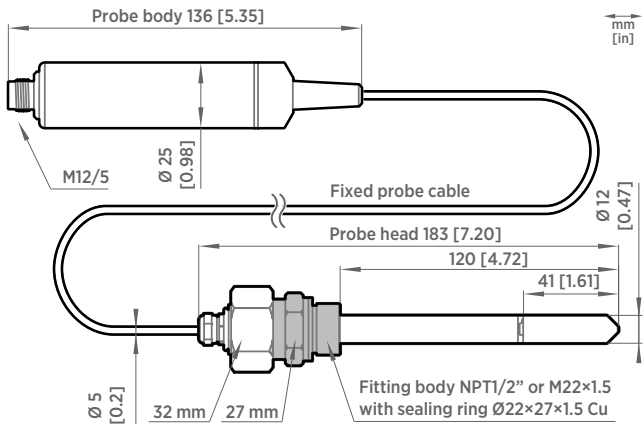
## Mechanical specifications

Connector	M12 5-pin A-coded male
Fitting body	M22×1.5 or NPT1/2"
Weight (with a 2-m cable)	530 g (18.7 oz)
Probe cable length	2 m (6.56 ft)
Materials	
Probe	AISI 316
Probe body	AISI 316
Cable jacket	FEP

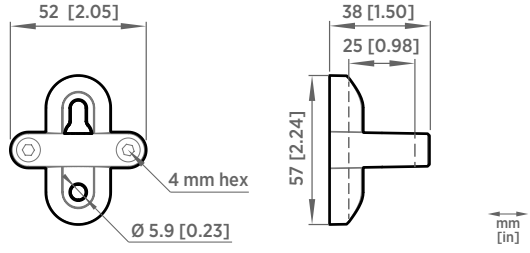
## Accessories

Indigo USB adapter <sup>1)</sup>	USB2
Calibration adapter for HMK15	211302SP

1) Vaisala Insight software for Windows available at [www.vaisala.com/insight](http://www.vaisala.com/insight).



HMP4 probe dimensions



Probe holder ASM213582 dimensions